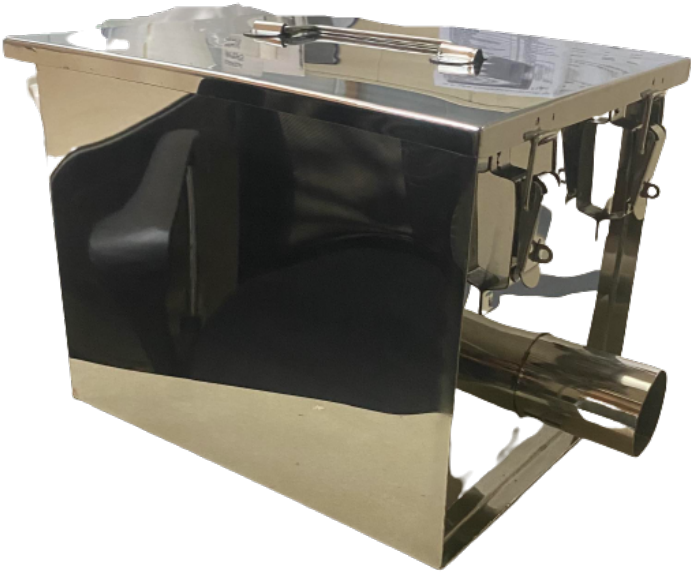




FILMAX GREASE TRAP

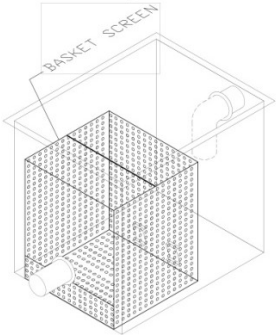
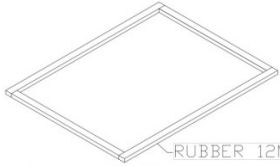
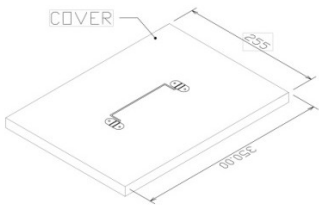
ACTUAL PHOTO



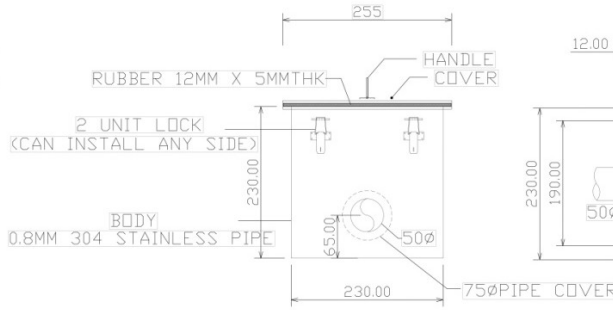
Available Size: 4-50 GPM

MATERIAL SPECIFICATIONS

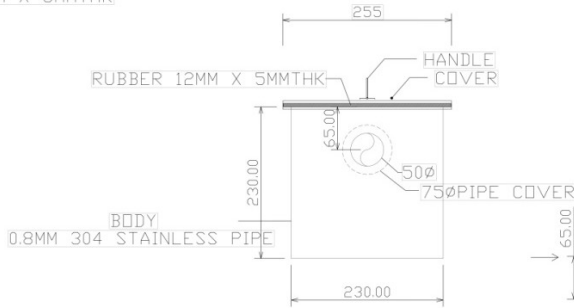
A. BODY	STAINLESS STEEL SHEET 0.80MM THICK TYPE 304(NON MAGNETIC)
B. COVER	STAINLESS STEEL SHEET 0.80MM THICK TYPE 304(NON MAGNETIC)
C. BASKET SCREEN	PERFORATED STAINLESS STEEL SHEET 0.80MM THICK TYPE 304(NON MAGNETIC)
D. ELBOW PIPE	1.2MM 304 STAINLESS
E. HANDLE	5MM 304 STAINLESS SHAFTING
F. LOCK	STAINLESS



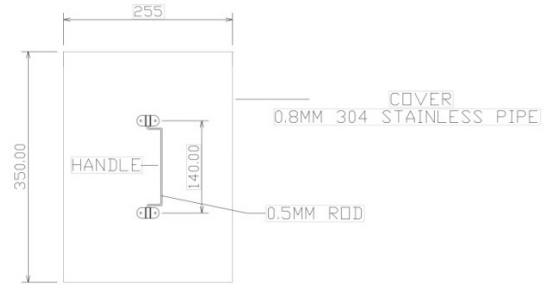
ISOMETRIC



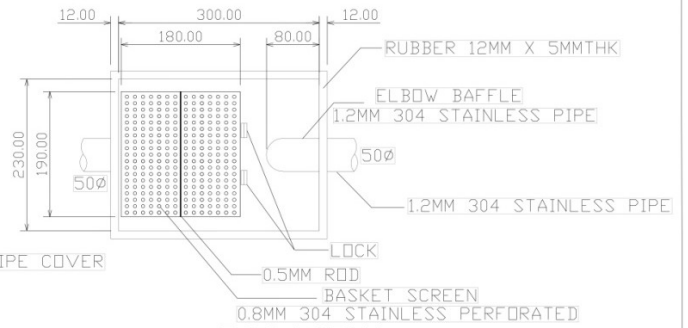
FRONT VIEW



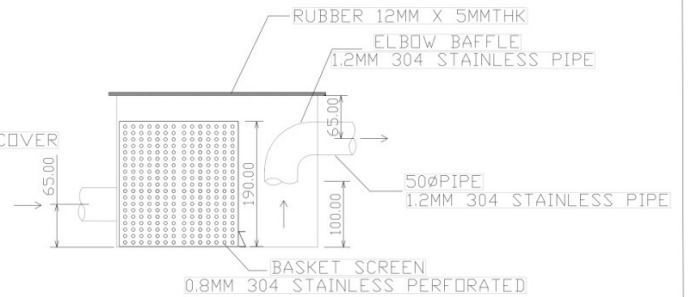
REAR VIEW



COVER PLAN



TOP VIEW



SIDE VIEW

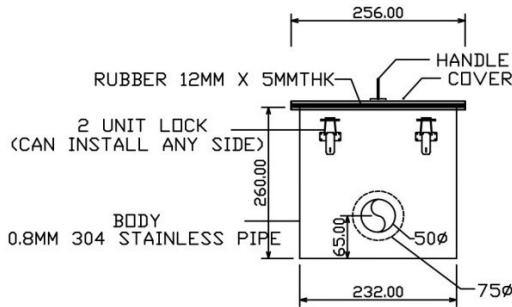
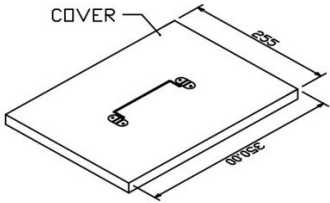
SPECIFICATIONS

SHEET CONTENT

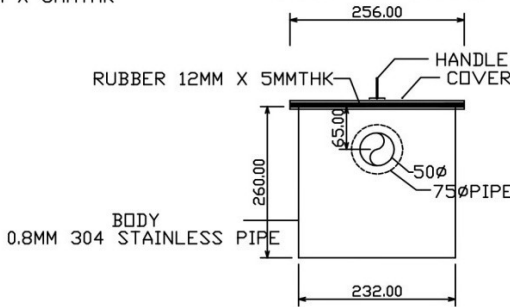
4GPM - GREASE TRAP DETAIL
STAINLESS

MATERIAL SPECIFICATIONS

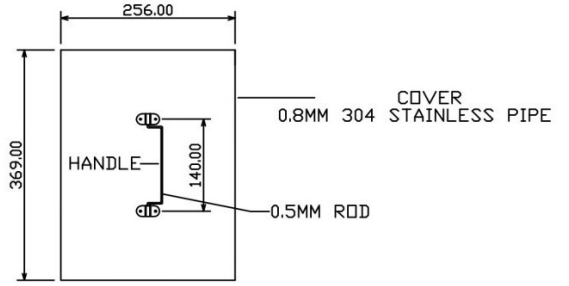
- A. BODY - STAINLESS STEEL SHEET 0.80MM THICK
TYPE 304(NON MAGNETIC)
- B. COVER - STAINLESS STEEL SHEET 0.80MM THICK
TYPE 304(NON MAGNETIC)
- C. BASKET SCREEN - PERFORATED STAINLESS STEEL SHEET 0.80MM THICK
TYPE 304(NON MAGNETIC)
- D. ELBOW/ PIPE - 1.2MM 304 STAINLESS
- E. HANDLE - 5MM 304 STAINLESS SHAFTING
- F. LOCK - STAINLESS



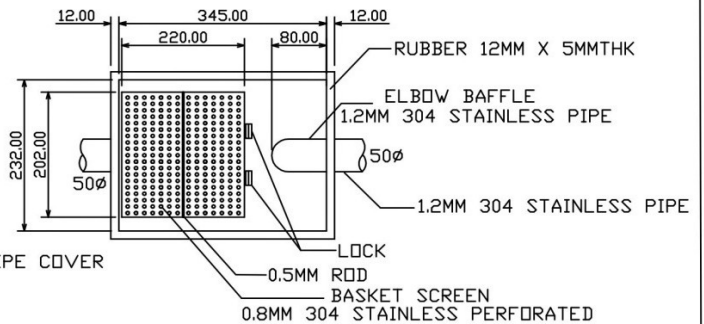
FRONT VIEW



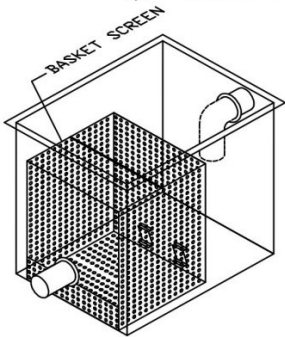
REAR VIEW



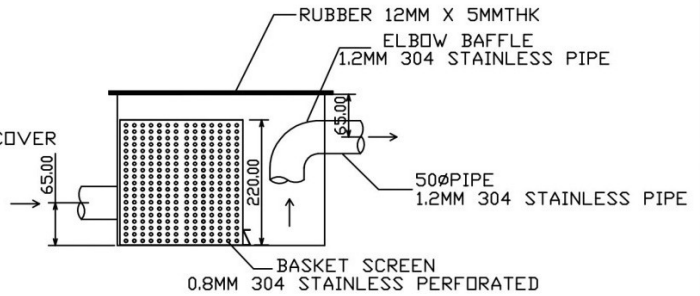
COVER PLAN



TOP VIEW



ISOMETRIC



SIDE VIEW

SPECIFICATIONS

SHEET CONTENT

**5GPM - GREASE TRAP DETAIL
STAINLESS**

Project List:

1. Contractor: Agchem Development Corp.
Project: Mi Casa Residences
Developer: Federal Land
2. Contractor: Tytans Properties and Development, Inc
Project: Tambuli Seaside living Tower C & D
3. Contractor: Agchem Development Corp.
Project: Lightsaber
Developer: MDC
4. Contractor: ED Buenviaje
Project: Proposed 24 Storey Condominium (Novo Makati)
5. Contractor: Agchem Development Corp.
Project: Vader 2